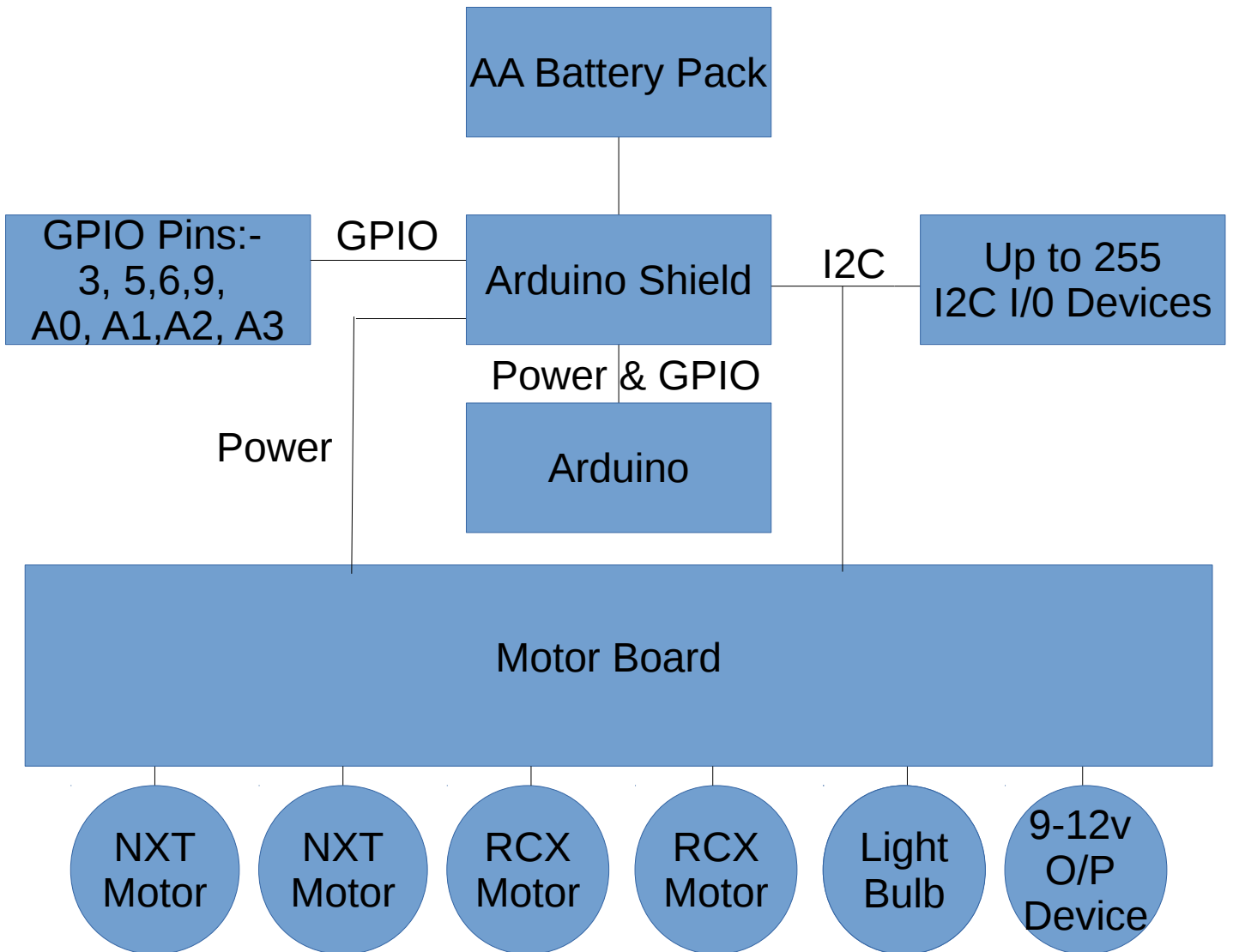


# Arduino Connection Diagram



Alternate Power Option  
(Low power requirements,  
no direct motor control and  
without the supplied shield)

